



<b>Product Series :</b> GTH	<b>Brand :</b> GOTREND
<b>File Version :</b> GTH-SERIES-V5R7	<b>Editor :</b> Qiuyi Wu
<b>Established Date :</b> 2009.07.30	<b>Description :</b> High Frequency Wound Inductor
<b>Latest Edit Date :</b> 2022.4.22	<b>Product Type :</b> <input checked="" type="checkbox"/> Standard <input type="checkbox"/> Customize



## REMINDERS

- ◆ Product information in this catalog is subject to change without notice, and is for reference only. Therefore, please contact GOTREND Technology to check for the latest information before practical application or usage of the products.
- ◆ This catalog contains only typical specifications, please contact GOTREND Technology for further details if you can not find special components or information you need in this catalogue. Please also approve our product specifications or transact the approval sheet for product specifications before ordering.
- ◆ This catalogue only applies to products purchased through GOTREND Technology or its official agencies. This catalogue does not apply to products that are purchased through other third parties.
- ◆ Please read Attention and CAUTION note (for storage, operating, rating, soldering, mounting and handling) in this catalog to ensure product proper usage.
- ◆ GOTREND Technology is not responsible for issues that occur related to the intellectual property rights or other rights of our company or a third party when you use a product listed in this catalog. GOTREND Technology do not grant license of these rights.
- ◆ Information and data provided in the brochure can and do vary in different applications, and actual performance may vary over time.
- ◆ "Delivery Specification" illustrating precautions for the specifications and safety of each product listed in this catalog is available and we strongly recommend to provide these delivery specifications with customers that use these products.
- ◆ For exporting of product in this catalog, please take note it may be a restricted item according to the "Foreign Exchange and Foreign Trade Control Law". In such cases, it is necessary to acquire export permission in accordance to this law.
- ◆ Any reproduction or extraction of the contents in this catalog is prohibited without prior permission from GOTREND Technology.
- ◆ Products listed in this catalog are intended for general electronic device usage under normal operation and use condition including telecommunication equipment, home appliances, sports equipment AV equipment, industrial machine, office equipment etc. Please take note that our products are not designed, intended or authorized for use in below mentioned applications unless explicitly agreed in writing between the parties to avoid product failure that could result in situation where personal injury or death could occur.

- (1) Aerospace/Aviation equipment
- (2) Atomic energy-related equipment
- (3) Disaster prevention/crime prevention equipment
- (4) Electric heating apparatus, burning equipment
- (5) Medical equipment
- (6) Military equipment
- (7) Power-generation control equipment
- (8) Public information-processing equipment
- (9) Safety equipment
- (10) Seabed equipment
- (11) Transportation control equipment
- (12) Transportation equipment (cars, electric trains, ships, etc.)
- (13) Other applications that are not considered general-purpose applications

- ◆ Our manufacturing sites fully compliance with requirement regarding the quality management system in the automotive industry under the IATF 16949 standard. GOTREND Technology respect individual agreements with reference to customer requirements and customer specific requirements (CSR). We will like to emphasize that only requirements mutually agreed upon will in implemented in our Quality Management System taking into consideration that IATF 16949 may appear to support the acceptance of unilateral requirements. We will only legally bind to this individually agreed upon agreement under the IATF 16949 standard.

- ◆ The product itself is a powder metallurgy product, so the structure is relatively fragile, and it should not be used for products that are easy to fall. In addition, when this product is assembled, it should avoid collision with the tool or mechanism shell.



- ◆ It is not recommended to use hot air gun for disassembling of this product. When using of hot air gun to repair other parts, please also take note that long time or high temperature exposure of this product will also damage the inductance device.

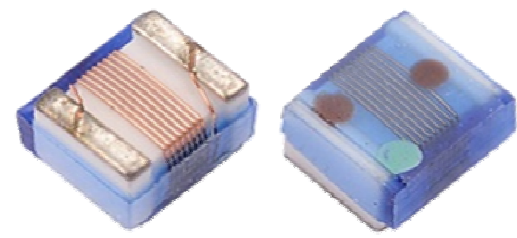
If you need to use the hot air gun to disassemble the product, it is recommended to adjust the hot air gun temperature to 380 deg.C±5 deg.C. The blower head of the hot air gun should be perpendicular and at least 1cm away from the product. After heating the product to the tin material melting point, use tweezers to remove the product from the PCB.



<b>Product Series :</b> GTH	<b>Brand :</b> GOTREND
<b>File Version :</b> GTH-SERIES-V5R7	<b>Editor :</b> Qiuyi Wu
<b>Established Date :</b> 2009.07.30	<b>Description :</b> High Frequency Wound Inductor
<b>Latest Edit Date :</b> 2022.4.22	<b>Product Type :</b> <input checked="" type="checkbox"/> Standard <input type="checkbox"/> Customize

**Features & Application :**

- \* Ceramic construction for high Q ,high frequency characteristic
- \* Fit for power line & signal line circuit
- \* To help you go pass the CE/FCC standard.
- \* Mobil Device / Handheld Device / LowProfile Device / Panel



( Picture for reference only )

**Part No. Example :**

PN	:	<b>GTH</b>	<b>2520</b>	<b>P</b>	<input type="checkbox"/>	-	<b>6R8</b>	<input type="checkbox"/>
-----	:	-----	-----	---	-----	---	---	---
ID	:	1	2	3	4		5	6
1	:	GOTREND Series : GTH						
2	:	Dimension Code : 2520 [ 2.5 x 2.0 mm ]						
3	:	P = Pb < 1000 ppm						
4	:	[ C ][ D ][ E ][ S ] Color Dot Marking , [ A ] 1005 Size High Current Type						
5	:	[ L ] Value : Inductance 6R8 = 6.8uH						
6	:	Tolerance : G = 2% , J = 5% , K = 10%						

**Basic Information :**

<b>Made in</b>	China
<b>Pin Foot</b>	SMD
<b>Shielding</b>	No
<b>J-STD-020</b>	MSL Level 1
<b>RoHS</b>	Compliant
<b>REACH</b>	Compliant
<b>Halogen</b>	Free

**Operating & Storage Condition :**

- \* Operating Temp -40 ~ +125 deg.C ( Including self - temperature rise )
- \* Storage Temp 1. -10 ~ +45 deg.C , 50 ~ 60% RH ( Product with taping )  
2. -40 ~ +125 deg.C ( On board )
- \* Storage Life Time 6 Month ( Less than 40 deg.C and 60% RH )

**Attention & Caution :**

- \* Keep out of Splashing water or salt water
- \* Avoid Toxic Gas (Hydrogen sulfide, Sulfurous acid, Chlorine, Ammonia)
- \* Avoid Vibrations or shocks which exceed the specified condition
- \* Avoid Dew condense
- \* Avoid Layout near the edge of PCB
- \* Avoid Over flexure after SMT mounting & PCBA

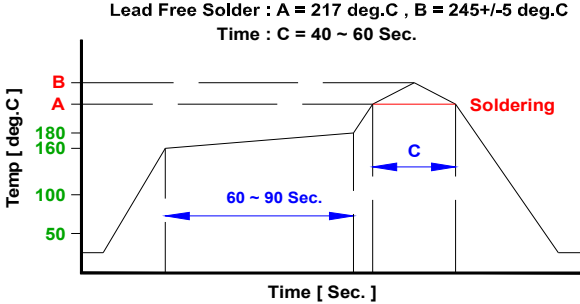


- \* Pin foot or SMD pad solderability: Pb free type is best within 6 months after delivery
- \* Humidity sensitive , IPC/JEDEC J-STD-020 MSL if over Level 1, recommend bake 30mins@150 degree before PCBA
- \* Caution for human life relative applications : PLS contact & consult with GOTREND team in design stage.

**Test Condition :**

- \* Equipment HP4284A , HP42841A - L , Q , DCR , IDC  
HP8753D Network analyzer - SRF
- \* Standard Atmosphere Conditions:  
Ambient Temperature 20 ± 15 deg.C  
Humidity RH 65 ± 20%
- \* If there may be any doubt on the test result ,  
Measurement shall be made within the following limits:  
Ambient Temperature 25 ± 5 deg.C  
Humidity RH 75 ± 10%

**Recommend IR Reflow Curve : GTX-IR-FILE001**

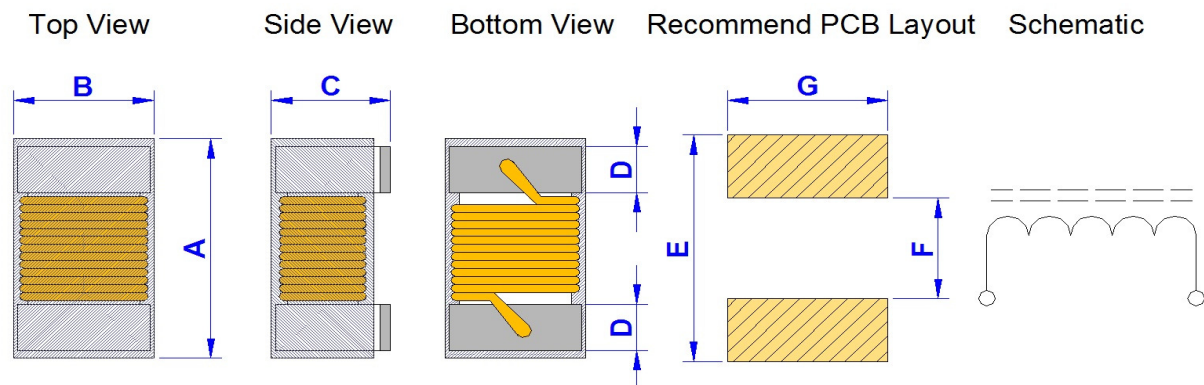


**Notice : Iron Soldering , Solder < 30 Watt ,  
Direct touch the terminal x 3 Sec. Max. @ 350 deg.C**

<b>Product Series :</b> GTH	<b>Brand :</b> GOTREND
<b>File Version :</b> GTH-SERIES-V5R7	<b>Editor :</b> Qiuyi Wu
<b>Established Date :</b> 2009.07.30	<b>Description :</b> High Frequency Wound Inductor
<b>Latest Edit Date :</b> 2022.4.22	<b>Product Type :</b> <input checked="" type="checkbox"/> Standard <input type="checkbox"/> Customize

## GTH1005PA-SERIES

Dimension [ mm ] :



Size	A [ Max. ]	B [ Max. ]	C [ Max. ]	D [ Ref. ]	E [ Ref. ]	F [ Ref. ]	G [ Ref. ]
1005P [ 0402 ]	1.27	0.76	0.61	0.23	1.46	0.46	0.66

Electrical Characteristics :

Part No.	Inductance ( nH )	L-Test Freq. ( MHz )	S.R.F ( MHz ) ( Min. )	DCR ( Ohm ) ( Max. )	IDC ( mA ) ( Max. )
GTH1005PA-20N□	20.0	7.9	2600	0.050	1600
GTH1005PA-22N□	22.0	7.9	2500	0.065	1300
GTH1005PA-33N□	33.0	7.9	2300	0.060	1400
GTH1005PA-36N□	36.0	7.9	2300	0.075	1300
GTH1005PA-39N□	39.0	7.9	2200	0.115	830
GTH1005PA-51N□	51.0	7.9	1930	0.070	1100
GTH1005PA-56N□	56.0	7.9	1900	0.095	1000
GTH1005PA-72N□	72.0	7.9	1650	0.100	1000
GTH1005PA-78N□	78.0	7.9	1600	0.130	970
GTH1005PA-R10□	100.0	7.9	1400	0.160	900
GTH1005PA-R14□	140.0	7.9	1220	0.260	630
GTH1005PA-R18□	180.0	7.9	1150	0.280	560
GTH1005PA-R20□	200.0	7.9	1000	0.440	400
GTH1005PA-R22□	220.0	7.9	1150	0.530	380
GTH1005PA-R25□	250.0	7.9	900	0.360	520
GTH1005PA-R27□	270.0	7.9	860	0.550	360
GTH1005PA-R30□	300.0	7.9	840	0.410	420
GTH1005PA-R33□	330.0	7.9	820	0.560	350
GTH1005PA-R36□	360.0	7.9	810	0.575	360
GTH1005PA-R39□	390.0	7.9	760	0.750	300
GTH1005PA-R42□	420.0	7.9	700	0.700	340
GTH1005PA-R47□	470.0	7.9	650	0.730	310
GTH1005PA-R56□	560.0	7.9	600	0.920	200

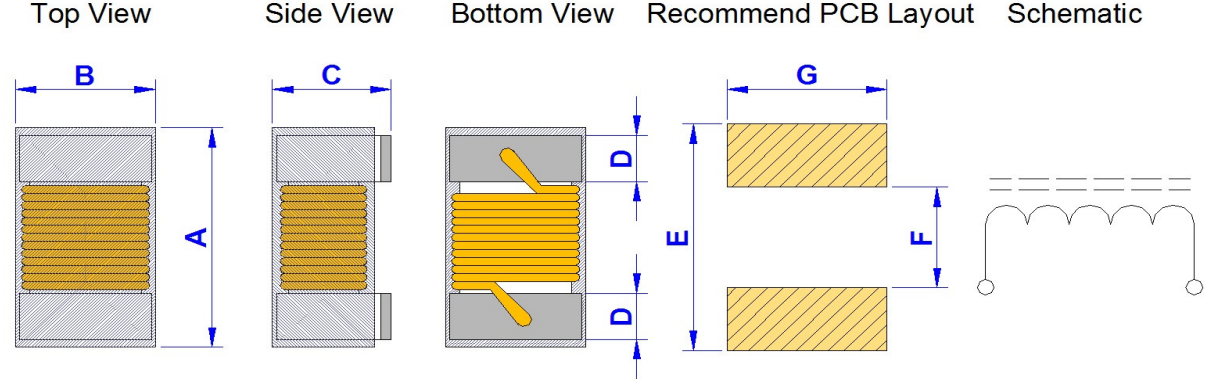
\* Inductance tolerance : J = ± 5% ; K = ± 10%

\* IDC based on increasing product temperature : Current when temperature of the product reaches +40 deg.C .

<b>Product Series :</b> GTH	<b>Brand :</b> GOTREND
<b>File Version :</b> GTH-SERIES-V5R7	<b>Editor :</b> Qiuyi Wu
<b>Established Date :</b> 2009.07.30	<b>Description :</b> High Frequency Wound Inductor
<b>Latest Edit Date :</b> 2022.4.22	<b>Product Type :</b> <input checked="" type="checkbox"/> Standard <input type="checkbox"/> Customize

### GTH1005P-SERIES

**Dimension [ mm ] :**



Size	A [ Max. ]	B [ Max. ]	C [ Max. ]	D [ Ref. ]	E [ Ref. ]	F [ Ref. ]	G [ Ref. ]
1005P [ 0402 ]	1.27	0.76	0.61	0.23	1.46	0.46	0.66

**Electrical Characteristics :**

Part No.	Inductance (nH)	L-Test Freq. (MHz)	Q @250MHz Min.	S.R.F (MHz) Min.	DCR (Ohm) Max.	IDC (mA) Max.	900MHz		1.7GHz	
							L Typ.	Q Typ.	L Typ.	Q Typ.
GTH1005P□-1N0□	1.0	250	16	12700	0.045	1360	1.02	77	1.02	69
GTH1005P□-1N5□	1.5	250	14	10000	0.100	300	x	x	x	x
GTH1005P□-1N9□	1.9	250	16	11300	0.070	1040	1.72	68	1.74	82
GTH1005P□-2N0□	2.0	250	16	11100	0.070	1040	1.93	54	1.93	75
GTH1005P□-2N2□	2.2	250	19	10800	0.070	960	2.19	59	2.23	100
GTH1005P□-2N4□	2.4	250	15	10500	0.070	790	2.24	51	2.27	68
GTH1005P□-2N7□	2.7	250	16	10400	0.120	640	2.23	42	2.25	61
GTH1005P□-3N3□	3.3	250	19	7000	0.066	840	3.10	65	3.12	87
GTH1005P□-3N6□	3.6	250	19	6800	0.066	840	3.56	45	3.62	71
GTH1005P□-3N9□	3.9	250	19	5800	0.066	840	3.89	50	4.00	75
GTH1005P□-4N3□	4.3	250	18	6000	0.091	700	4.19	47	4.30	71
GTH1005P□-4N7□	4.7	250	15	4700	0.130	640	4.55	48	4.68	68
GTH1005P□-5N1□	5.1	250	20	4800	0.083	800	5.15	56	5.25	82
GTH1005P□-5N6□	5.6	250	20	4800	0.083	760	5.16	54	5.28	81
GTH1005P□-6N2□	6.2	250	20	4800	0.083	760	6.16	52	6.37	76
GTH1005P□-6N8□	6.8	250	20	4800	0.083	680	6.56	63	6.93	78
GTH1005P□-7N5□	7.5	250	22	4800	0.104	680	7.91	60	8.22	88
GTH1005P□-8N2□	8.2	250	22	4400	0.104	680	8.50	57	8.85	84
GTH1005P□-8N7□	8.7	250	18	4100	0.200	480	8.78	54	9.21	73
GTH1005P□-9N0□	9.0	250	22	4160	0.104	680	9.07	62	9.53	78
GTH1005P□-9N5□	9.5	250	18	4000	0.200	480	9.42	54	9.98	69
GTH1005P□-10N□	10.0	250	21	3900	0.195	480	9.80	50	10.10	67
GTH1005P□-11N□	11.0	250	24	3680	0.120	640	10.70	52	11.20	78
GTH1005P□-12N□	12.0	250	24	3600	0.120	640	11.90	53	12.70	71

\* Inductance tolerance : G = ± 2% ; J = ± 5% ; K = ± 10%

GTH1005PE contains G tolerance items:6N8、11N、12N、13N、16N、18N、19N、20N、22N、23N、24N、27N、30N、33N、36N、39N、40N、43N、47N、51N、56N、68N、82N、R10、R12

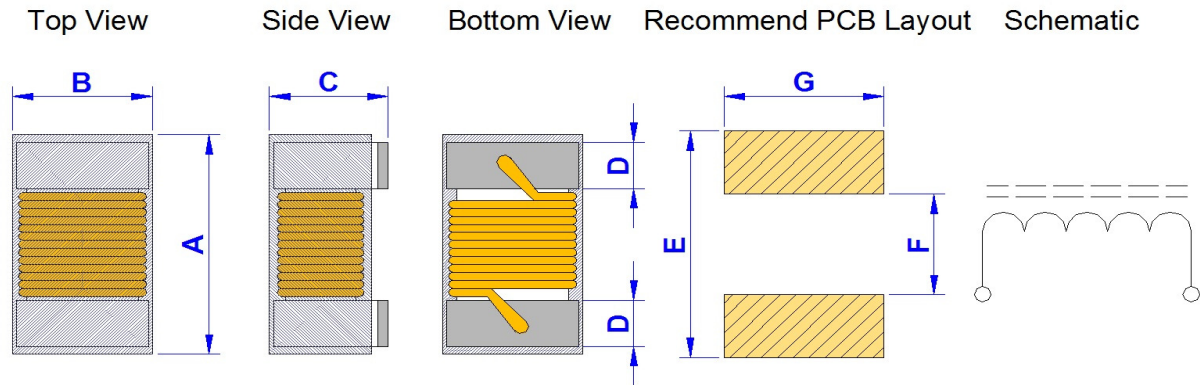
GTH1005PE contains H tolerance items:2N0、2N2、2N4、2N7、3N3、3N6、3N9、4N3、4N7、5N6、6N2

\* IDC based on increasing product temperature : Current when temperature of the product reaches +40 deg.C .

<b>Product Series :</b> GTH	<b>Brand :</b> GOTREND
<b>File Version :</b> GTH-SERIES-V5R7	<b>Editor :</b> Qiuyi Wu
<b>Established Date :</b> 2009.07.30	<b>Description :</b> High Frequency Wound Inductor
<b>Latest Edit Date :</b> 2022.4.22	<b>Product Type :</b> <input checked="" type="checkbox"/> Standard <input type="checkbox"/> Customize

## GTH1005P-SERIES

Dimension [ mm ] :



Size	A [ Max. ]	B [ Max. ]	C [ Max. ]	D [ Ref. ]	E [ Ref. ]	F [ Ref. ]	G [ Ref. ]
1005P [ 0402 ]	1.27	0.76	0.61	0.23	1.46	0.46	0.66

Electrical Characteristics :

Part No.	Inductance ( nH )	L-Test Freq. ( MHz )	Q @250MHz Min.	S.R.F ( MHz ) Min.	DCR (Ohm) Max.	IDC ( mA ) Max.	900MHz		1.7GHz	
							L Typ.	Q Typ.	L Typ.	Q Typ.
GTH1005P□-13N□	13.0	250	24	3450	0.210	440	13.40	51	14.60	51
GTH1005P□-15N□	15.0	250	24	3280	0.172	560	14.60	55	15.50	77
GTH1005P□-16N□	16.0	250	24	3100	0.220	560	16.60	46	18.80	47
GTH1005P□-18N□	18.0	250	24	3100	0.230	420	18.30	57	20.28	62
GTH1005P□-19N□	19.0	250	24	3040	0.202	480	19.10	50	21.10	67
GTH1005P□-20N□	20.0	250	25	3000	0.250	420	20.70	52	23.70	53
GTH1005P□-22N□	22.0	250	25	2800	0.300	400	23.20	53	26.80	53
GTH1005P□-23N□	23.0	250	22	2720	0.300	400	23.80	49	26.90	64
GTH1005P□-24N□	24.0	250	25	2700	0.300	400	25.10	51	29.50	50
GTH1005P□-27N□	27.0	250	24	2480	0.300	400	28.70	49	33.50	63
GTH1005P□-30N□	30.0	250	25	2350	0.350	400	31.10	46	38.50	39
GTH1005P□-33N□	33.0	250	24	2350	0.350	400	34.90	31	41.74	32
GTH1005P□-36N□	36.0	250	24	2320	0.440	320	39.50	44	48.40	53
GTH1005P□-39N□	39.0	250	25	2100	0.550	200	41.70	47	50.23	45
GTH1005P□-40N□	40.0	250	24	2240	0.440	320	39.00	44	47.40	33
GTH1005P□-43N□	43.0	250	25	2030	0.810	100	45.80	46	61.55	34
GTH1005P□-47N□	47.0	250	20	2100	0.830	150	50.00	38	x	x
GTH1005P□-51N□	51.0	250	25	1750	0.820	100	x	x	x	x
GTH1005P□-56N□	56.0	250	22	1760	0.970	100	x	x	x	x
GTH1005P□-68N□	68.0	250	22	1620	1.120	100	x	x	x	x
GTH1005P□-R12□	120.0	250	20	>1800	2.660	50	x	x	x	x

\* Inductance tolerance : G = ± 2% ; J = ± 5% ; K = ± 10%

GTH1005PE contains G tolerance items:6N8、11N、12N、13N、15N、16N、18N、19N、20N、22N、23N、24N、27N、30N、33N、36N、39N、40N、43N、47N、51N、56N、68N、82N、R10、R12

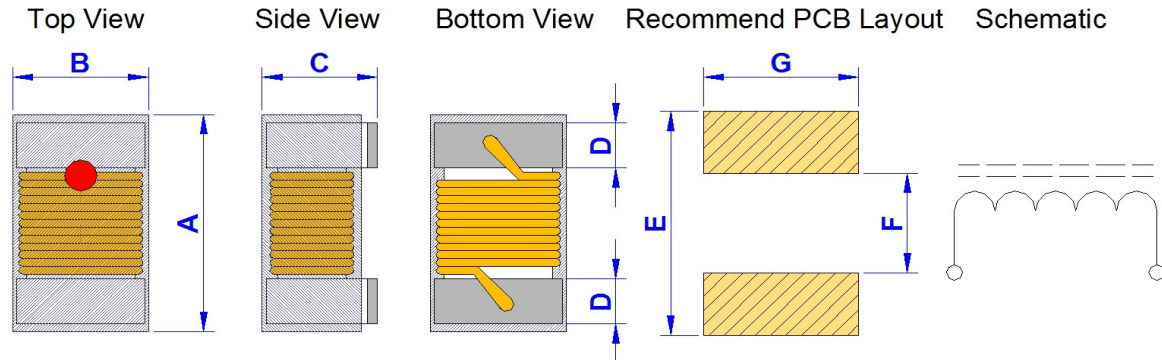
GTH1005PE contains H tolerance items:2N0、2N2、2N4、2N7、3N3、3N6、3N9、4N3、4N7、5N6、6N2

\* IDC based on increasing product temperature : Current when temperature of the product reaches +40 deg.C .

<b>Product Series :</b> GTH	<b>Brand :</b> GOTREND
<b>File Version :</b> GTH-SERIES-V5R7	<b>Editor :</b> Qiuyi Wu
<b>Established Date :</b> 2009.07.30	<b>Description :</b> High Frequency Wound Inductor
<b>Latest Edit Date :</b> 2022.4.22	<b>Product Type :</b> <input checked="" type="checkbox"/> Standard <input type="checkbox"/> Customize

## GTH1608P-SERIES

Dimension [ mm ] :



Marking : The sense value represented by the color point please see the electrical specification.

Size	A [ Max. ]	B [ Max. ]	C [ Max. ]	D [ Ref. ]	E [ Ref. ]	F [ Ref. ]	G [ Ref. ]
1608P [ 0603 ]	1.80	1.12	1.02	0.38	1.92	0.64	1.02

Electrical Characteristics :

Part No.	Inductance ( nH )	L-Test Freq. ( MHz )	Q @250MHz Min.	S.R.F ( MHz ) Min.	DCR (Ohm) Max.	IDC ( mA ) Max.	900MHz		1.7GHz		E TYPE COLOR COATING
							L Typ.	Q Typ.	L Typ.	Q Typ.	
GTH1608P□-1N6J	1.60 ± 5%	250	16	12500	0.040	700	1.53	35	1.58	55	Red
GTH1608P□-1N8J	1.80 ± 5%	250	16	12500	0.045	700	1.63	35	1.66	50	Black
GTH1608P□-2N2J	2.20 ± 5%	250	15	6000	0.100	700	2.18	41	2.20	64	Yellow
GTH1608P□-2N3J	2.30 ± 5%	250	16	4000	0.140	700	2.32	32	2.35	40	None
GTH1608P□-3N3J	3.30 ± 5%	250	30	5900	0.045	700	3.42	73	3.46	95	Blue
GTH1608P□-3N6J	3.60 ± 5%	250	22	5800	0.063	700	3.53	49	3.58	65	Red
GTH1608P□-3N9J	3.90 ± 5%	250	22	6000	0.080	700	3.95	49	3.96	67	Brown
GTH1608P□-4N3J	4.30 ± 5%	250	22	5800	0.063	700	4.32	49	4.43	67	Orange
GTH1608P□-4N7J	4.70 ± 5%	250	20	5800	0.120	700	4.65	53	4.80	67	Violet
GTH1608P□-5N1J	5.10 ± 5%	250	20	5700	0.120	700	5.13	47	5.36	56	Green
GTH1608P□-5N6J	5.60 ± 5%	250	20	5800	0.170	700	5.53	56	5.86	77	Black
GTH1608P□-6N3J	6.30 ± 5%	250	20	5700	0.120	700	5.50	47	6.10	60	White
GTH1608P□-6N8J	6.80 ± 5%	250	27	5800	0.130	700	6.75	60	7.10	81	Red
GTH1608P□-7N5J	7.50 ± 5%	250	27	4800	0.120	700	7.39	62	7.71	81	Brown
GTH1608P□-8N2J	8.20 ± 5%	250	27	4700	0.130	700	8.25	64	8.40	87	Orange
GTH1608P□-8N7J	8.70 ± 5%	250	27	4600	0.110	700	8.84	62	9.38	58	Yellow
GTH1608P□-9N1J	9.10 ± 5%	250	28	4600	0.120	700	9.21	62	9.77	75	Black
GTH1608P□-9N5J	9.50 ± 5%	250	27	5400	0.150	700	9.64	59	9.38	61	Blue
GTH1608P□-10NJ	10.00 ± 5%	250	31	4800	0.150	700	10.00	66	10.50	83	Orange
GTH1608P□-11NJ	11.00 ± 5%	250	30	4000	0.150	700	11.30	53	12.10	56	Gray
GTH1608P□-12NJ	12.00 ± 5%	250	35	4000	0.150	700	12.30	72	13.50	83	Yellow
GTH1608P□-15NJ	15.00 ± 5%	250	35	4000	0.180	700	15.40	64	16.80	89	Green
GTH1608P□-16NJ	16.00 ± 5%	250	34	3300	0.170	700	16.50	55	18.00	52	White
GTH1608P□-18NJ	18.00 ± 5%	250	35	3100	0.180	700	18.70	70	21.40	69	Blue

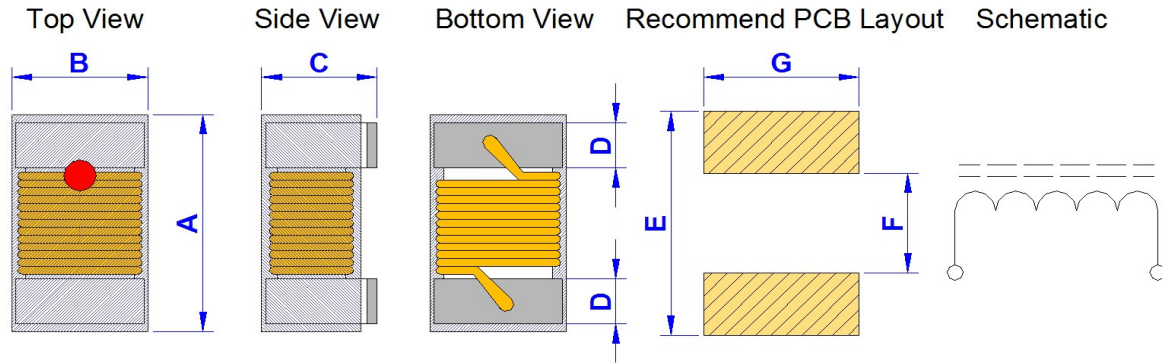
\* Inductance tolerance : G = ± 2% ; J = ± 5% ; K = ± 10%

\* IDC based on increasing product temperature : Current when temperature of the product reaches +40 deg.C .

<b>Product Series :</b> GTH	<b>Brand :</b> GOTREND
<b>File Version :</b> GTH-SERIES-V5R7	<b>Editor :</b> Qiuyi Wu
<b>Established Date :</b> 2009.07.30	<b>Description :</b> High Frequency Wound Inductor
<b>Latest Edit Date :</b> 2022.4.22	<b>Product Type :</b> <input checked="" type="checkbox"/> Standard <input type="checkbox"/> Customize

## GTH1608P-SERIES

**Dimension [ mm ] :**



**Marking :** The sense value represented by the color point please see the electrical specification.

Size	A [ Max. ]	B [ Max. ]	C [ Max. ]	D [ Ref. ]	E [ Ref. ]	F [ Ref. ]	G [ Ref. ]
1608P [ 0603 ]	1.80	1.12	1.02	0.38	1.92	0.64	1.02

**Electrical Characteristics :**

Part No.	Inductance ( nH )	L-Test Freq. ( MHz )	Q @250MHz Min.	S.R.F ( MHz ) Min.	DCR (Ohm) Max.	IDC ( mA ) Max.	900MHz		1.7GHz		E TYPE COLOR COATING
							L Typ.	Q Typ.	L Typ.	Q Typ.	
GTH1608P□-19NJ	19.00 ± 5%	250	35	3000	0.190	700	19.71	73	23.35	62	Brown
GTH1608P□-20NJ	20.00 ± 5%	250	38	3000	0.180	700	20.50	79	23.27	86	Red
GTH1608P□-22NJ	22.00 ± 5%	250	38	3000	0.210	700	22.80	73	26.10	71	Violet
GTH1608P□-23NJ	23.00 ± 5%	250	38	2850	0.205	700	24.19	70	28.48	72	Orange
GTH1608P□-24NJ	24.00 ± 5%	250	36	2650	0.210	700	24.10	45	28.00	40	Black
GTH1608P□-25NJ	25.00 ± 5%	250	38	2800	0.210	600	25.93	84	29.73	89	Yellow
GTH1608P□-27NJ	27.00 ± 5%	250	40	2800	0.220	600	29.20	74	34.60	65	Gray
GTH1608P□-30NJ	30.00 ± 5%	250	37	2250	0.220	600	31.40	47	39.80	28	Brown
GTH1608P□-33NJ	33.00 ± 5%	250	40	2300	0.240	600	36.00	67	49.50	42	White
GTH1608P□-36NJ	36.00 ± 5%	250	37	2080	0.250	600	39.10	47	48.90	24	Red
GTH1608P□-39NJ	39.00 ± 5%	250	40	2200	0.260	600	42.70	60	60.20	40	Black
GTH1608P□-43NJ	43.00 ± 5%	200	38	2000	0.280	600	46.90	44	60.30	21	Orange
GTH1608P□-47NJ	47.00 ± 5%	200	38	2000	0.280	600	52.20	62	77.20	35	Brown
GTH1608P□-51NJ	51.00 ± 5%	200	38	2130	0.300	600	59.27	50	103.8	23	Violet
GTH1608P□-56NJ	56.00 ± 5%	200	38	1900	0.310	600	62.50	56	97.00	26	Red
GTH1608P□-62NJ	62.00 ± 5%	200	37	1800	0.330	600	73.30	42	156.5	16	Gray
GTH1608P□-68NJ	68.00 ± 5%	200	37	1700	0.340	600	80.50	54	168.0	21	Orange
GTH1608P□-72NJ	72.00 ± 5%	150	34	1700	0.490	400	82.00	53	135.0	20	Yellow
GTH1608P□-82NJ	82.00 ± 5%	150	34	1700	0.540	400	96.20	54	177.0	21	Green
GTH1608P□-91NJ	91.00 ± 5%	150	34	1500	0.560	400	111.80	49	X	X	Brown
GTH1608P□-R10J	100.00 ± 5%	150	34	1400	0.580	400	124.00	49	X	X	Blue
GTH1608P□-R11J	110.00 ± 5%	150	32	1350	0.610	300	138.00	43	X	X	Violet
GTH1608P□-R12J	120.00 ± 5%	150	32	1300	0.650	300	166.00	39	X	X	Gray
GTH1608P□-R13J	130.00 ± 5%	150	32	1200	0.750	280	180.10	36	X	X	Orange

\* Inductance tolerance : G = ± 2% ; J = ± 5% ; K = ± 10%

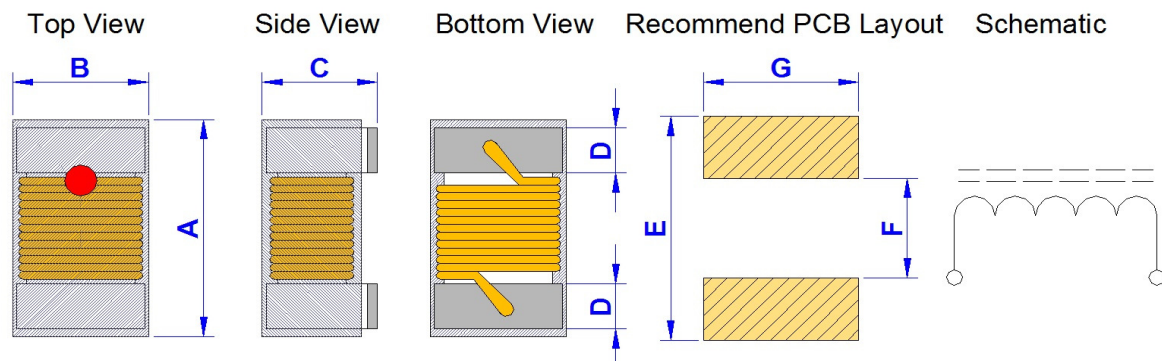
\* IDC based on increasing product temperature : Current when temperature of the product reaches +40 deg.C .



<b>Product Series :</b> GTH	<b>Brand :</b> GOTREND
<b>File Version :</b> GTH-SERIES-V5R7	<b>Editor :</b> Qiuyi Wu
<b>Established Date :</b> 2009.07.30	<b>Description :</b> High Frequency Wound Inductor
<b>Latest Edit Date :</b> 2022.4.22	<b>Product Type :</b> <input checked="" type="checkbox"/> Standard <input type="checkbox"/> Customize

### GTH1608P-SERIES

Dimension [ mm ] :



Marking : The sense value represented by the color point please see the electrical specification.

Size	A [ Max. ]	B [ Max. ]	C [ Max. ]	D [ Ref. ]	E [ Ref. ]	F [ Ref. ]	G [ Ref. ]
1608P [ 0603 ]	1.80	1.12	1.02	0.38	1.92	0.64	1.02

Electrical Characteristics :

Part No.	Inductance ( nH )	L-Test Freq. ( MHz )	Q @250MHz Min.	S.R.F ( MHz ) Min.	DCR (Ohm) Max.	IDC ( mA ) Max.	900MHz		1.7GHz		E TYPE COLOR COATING
							L Typ.	Q Typ.	L Typ.	Q Typ.	
GTH1608P□-R15J	150.00 ± 5%	150	32	1300	0.950	280	230.00	25	X	X	White
GTH1608P□-R17J	170.00 ± 5%	100	25	990	1.150	240	228.40	34	X	X	Yellow
GTH1608P□-R18J	180.00 ± 5%	100	25	1250	1.400	250	305.00	22	X	X	Black
GTH1608P□-R19J	190.00 ± 5%	100	25	990	1.350	200	279.10	30	X	X	Green
GTH1608P□-R20J	200.00 ± 5%	100	25	990	1.500	200	X	X	X	X	Orange
GTH1608P□-R22J	220.00 ± 5%	100	25	900	1.600	250	480.00	8	X	X	Brown
GTH1608P□-R24J	240.00 ± 5%	100	25	900	1.900	200	X	X	X	X	Violet
GTH1608P□-R27J	270.00 ± 5%	100	25	900	2.100	200	980.00	4	X	X	Red
GTH1608P□-R33J	330.00 ± 5%	100	25	900	2.750	100	970.6	9	X	X	Blue
GTH1608P□-R34J	340.00 ± 5%	100	25	900	2.900	100	X	X	X	X	Gray
GTH1608P□-R39J	390.00 ± 5%	100	25	900	4.350	100	734.5	29	X	X	Yellow
GTH1608P□-R47J	470.00 ± 5%	100	25	750	4.000	80	X	X	X	X	Green
GTH1608P□-1R0J	1000.00 ± 5%	7.96	16 @7.96M	190	1.200	300	X	X	X	X	None

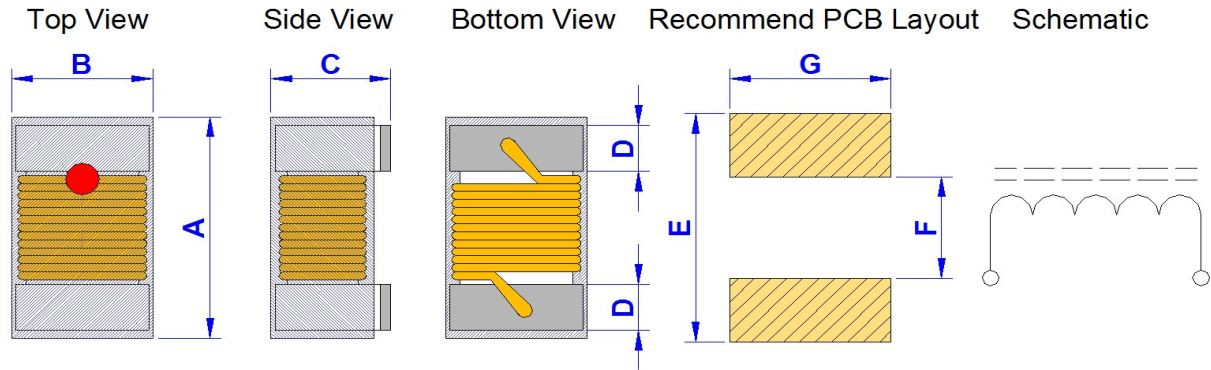
\* Inductance tolerance : G = ± 2% ; J = ± 5% ; K = ± 10%

\* IDC based on increasing product temperature : Current when temperature of the product reaches +40 deg.C .

<b>Product Series :</b> GTH	<b>Brand :</b> GOTREND
<b>File Version :</b> GTH-SERIES-V5R7	<b>Editor :</b> Qiuyi Wu
<b>Established Date :</b> 2009.07.30	<b>Description :</b> High Frequency Wound Inductor
<b>Latest Edit Date :</b> 2022.4.22	<b>Product Type :</b> <input checked="" type="checkbox"/> Standard <input type="checkbox"/> Customize

## GTH1608PS-SERIES

Dimension [ mm ] :



Marking : The sense value represented by the color point please see the electrical specification.

Size	A [ Max. ]	B [ Max. ]	C [ Max. ]	D [ Ref. ]	E [ Ref. ]	F [ Ref. ]	G [ Ref. ]
1608P [ 0603 ]	1.80	1.12	1.02	0.38	1.92	0.64	1.02

Electrical Characteristics :

Part No.	Inductance ( nH )	tolerance	L-Test Freq. ( MHz )	Q Min.	S.R.F ( MHz ) Min.	DCR ( Ohm ) Max.	IDC ( mA ) Max.	S TYPE COLOR COATING
GTH1608PS-1N6□	1.6	J, K	250	24	12500	0.030	700	Black
GTH1608PS-1N8□	1.8	J, K	250	16	12500	0.045	700	Brown
GTH1608PS-2N2□	2.2	J, K	100	20	5800	0.050	700	Orange
GTH1608PS-3N3□	3.3	J, K	250	20	5500	0.070	700	Violet
GTH1608PS-3N6□	3.6	J, K	250	22	5900	0.063	700	Red
GTH1608PS-3N9□	3.9	J, K	250	22	6900	0.080	700	Orange
GTH1608PS-4N3□	4.3	J, K	250	22	5900	0.063	700	Yellow
GTH1608PS-4N7□	4.7	J, K	250	20	5800	0.116	700	Green
GTH1608PS-5N1□	5.1	J, K	250	20	5700	0.140	700	Blue
GTH1608PS-5N6□	5.6	J, K	250	20	5800	0.150	700	Gray
GTH1608PS-6N1□	6.1	J, K	250	25	5800	0.110	700	White
GTH1608PS-6N8□	6.8	J, K	250	27	5800	0.110	700	Violet
GTH1608PS-7N5□	7.5	J, K	250	28	4800	0.106	700	Gray
GTH1608PS-8N2□	8.2	J, K	250	25	5800	0.120	700	Black
GTH1608PS-8N4□	8.4	J, K	250	28	4600	0.109	700	Red
GTH1608PS-8N5□	8.5	J, K	250	28	4600	0.109	700	Red
GTH1608PS-8N7□	8.7	J, K	250	28	4600	0.109	700	White
GTH1608PS-9N5□	9.5	J, K	250	28	5400	0.135	700	Black
GTH1608PS-10N□	10	G, J, K	250	31	4800	0.130	700	Brown
GTH1608PS-11N□	11	G, J, K	250	33	4000	0.086	700	Red
GTH1608PS-12N□	12	G, J, K	250	35	4000	0.130	700	Orange
GTH1608PS-14N□	14	G, J, K	250	35	4000	0.170	700	Brown
GTH1608PS-15N□	15	G, J, K	250	35	4000	0.170	700	Yellow
GTH1608PS-16N□	16	G, J, K	250	34	3300	0.104	700	Green
GTH1608PS-18N□	18	G, J, K	250	35	3100	0.170	700	Blue

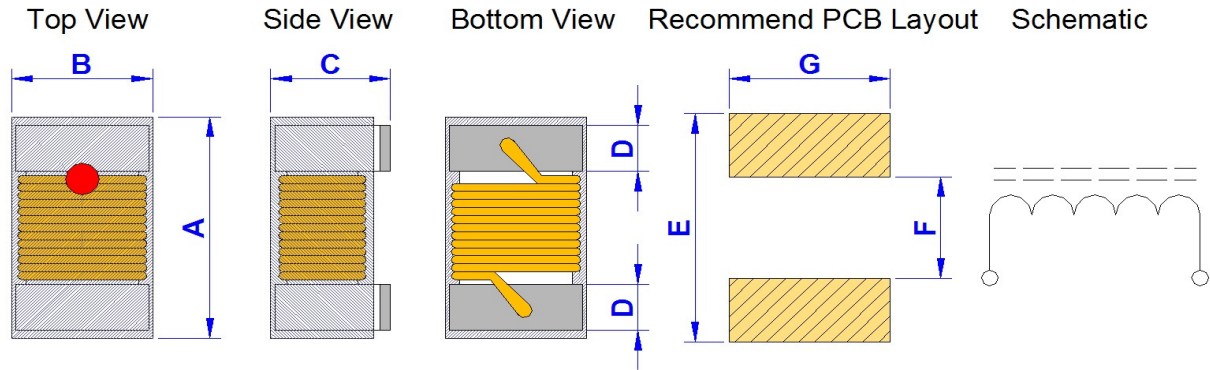
\* Inductance tolerance : G = ± 2% ; J = ; K = ± 10%

\* IDC based on increasing product temperature : Current when temperature of the product reaches +40 deg.C .

<b>Product Series :</b> GTH	<b>Brand :</b> GOTREND
<b>File Version :</b> GTH-SERIES-V5R7	<b>Editor :</b> Qiuyi Wu
<b>Established Date :</b> 2009.07.30	<b>Description :</b> High Frequency Wound Inductor
<b>Latest Edit Date :</b> 2022.4.22	<b>Product Type :</b> <input checked="" type="checkbox"/> Standard <input type="checkbox"/> Customize

### GTH1608PS-SERIES

Dimension [ mm ] :



Marking : The sense value represented by the color point please see the electrical specification.

Size	A [ Max. ]	B [ Max. ]	C [ Max. ]	D [ Ref. ]	E [ Ref. ]	F [ Ref. ]	G [ Ref. ]
1608P [ 0603 ]	1.80	1.12	1.02	0.38	1.92	0.64	1.02

Electrical Characteristics :

Part No.	Inductance ( nH )	tolerance	L-Test Freq. ( MHz )	Q Min.	S.R.F ( MHz ) Min.	DCR ( Ohm ) Max.	IDC ( mA ) Max.	S TYPE COLOR COATING
GTH1608PS-22N□	22	G, J, K	250	38	3000	0.190	700	Violet
GTH1608PS-24N□	24	G, J, K	250	37	2650	0.135	700	Gray
GTH1608PS-27N□	27	G, J, K	250	40	2800	0.220	600	White
GTH1608PS-30N□	30	G, J, K	250	37	2250	0.144	600	Black
GTH1608PS-33N□	33	G, J, K	250	40	2300	0.220	600	Brown
GTH1608PS-36N□	36	G, J, K	250	38	2080	0.250	600	Red
GTH1608PS-39N□	39	G, J, K	250	40	2200	0.250	600	Orange
GTH1608PS-43N□	43	G, J, K	250	39	2000	0.280	600	Yellow
GTH1608PS-47N□	47	G, J, K	200	38	2000	0.280	600	Green
GTH1608PS-56N□	56	G, J, K	200	38	1900	0.310	600	Blue
GTH1608PS-68N□	68	G, J, K	200	37	1700	0.340	600	Violet
GTH1608PS-72N□	72	G, J, K	150	34	1700	0.490	400	Gray
GTH1608PS-82N□	82	G, J, K	150	34	1700	0.540	400	White
GTH1608PS-91N□	91	G, J, K	150	34	1700	0.560	400	Violet
GTH1608PS-R10□	100	G, J, K	150	34	1400	0.580	400	Black
GTH1608PS-R11□	110	G, J, K	150	32	1350	0.610	300	Brown
GTH1608PS-R12□	120	G, J, K	150	32	1300	0.650	300	Red
GTH1608PS-R15□	150	G, J, K	150	28	990	0.920	280	Orange
GTH1608PS-R18□	180	G, J, K	100	25	990	1.250	240	Yellow
GTH1608PS-R20□	200	G, J, K	100	25	1200	1.500	250	Blue
GTH1608PS-R22□	220	G, J, K	100	25	900	1.900	200	Green
GTH1608PS-R27□	270	G, J, K	100	24	900	2.300	170	Blue
GTH1608PS-R33□	330	G, J, K	100	24	900	3.900	185	Violet
GTH1608PS-R39□	390	G, J, K	100	25	900	4.350	100	Gray
GTH1608PS-R47□	470	G, J, K	100	25	600	4.350	100	White

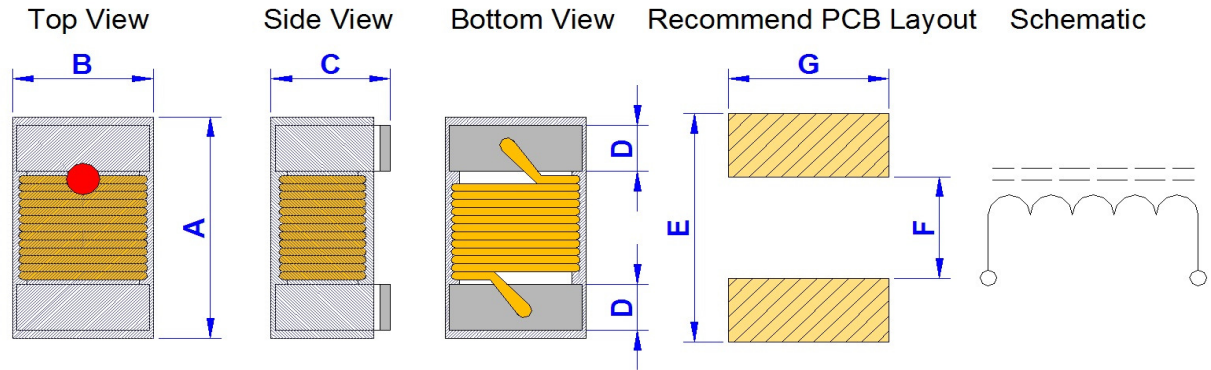
\* Inductance tolerance : G = ± 2% ; J = ± 5% ; K = ± 10%

\* IDC based on increasing product temperature : Current when temperature of the product reaches +40 deg.C .

Product Series : GTH	Brand : GOTREND
File Version : GTH-SERIES-V5R7	Editor : Qiuyi Wu
Established Date : 2009.07.30	Description : High Frequency Wound Inductor
Latest Edit Date : 2022.4.22	Product Type : <input checked="" type="checkbox"/> Standard <input type="checkbox"/> Customize

## GTH2012P-SERIES

Dimension [ mm ] :



Marking : The sense value represented by the color point please see the electrical specification.

Size	A [ Max. ]	B [ Max. ]	C [ Max. ]	D [ Ref. ]	E [ Ref. ]	F [ Ref. ]	G [ Ref. ]
2012P [ 0805 ]	2.29	1.73	1.52	0.51	2.68	0.64	1.55

Electrical Characteristics :

Part NO.	Inductance (nH)	L-Test Freq. (MHz)	Q Min.	Q-Test Freq. (MHz)	S.R.F (MHz) Min.	DCR (Ohm) Max.	IDC (mA) Max.	E TYPE COLOR COATING
GTH2012P□-2N8J	2.8 ± 5%	250	55	1500	7900	0.06	800	Gray
GTH2012P□-3N0J	3.0 ± 5%	250	55	1500	7900	0.08	800	White
GTH2012P□-3N3J	3.3 ± 5%	250	45	1500	7900	0.12	600	Black
GTH2012P□-5N1J	5.1 ± 5%	250	60	1000	5800	0.06	600	Yellow
GTH2012P□-5N6J	5.6 ± 5%	250	65	1000	5500	0.08	600	Orange
GTH2012P□-6N2J	6.2 ± 5%	250	50	1000	5500	0.11	600	Violet
GTH2012P□-6N8J	6.8 ± 5%	250	50	1000	5500	0.11	600	Brown
GTH2012P□-7N5J	7.5 ± 5%	250	50	1000	4500	0.14	600	Green
GTH2012P□-8N2J	8.2 ± 5%	250	50	1000	4700	0.12	600	Red
GTH2012P□-10NJ	10.0 ± 5%	250	60	1000	4200	0.10	600	Blue
GTH2012P□-12NJ	12.0 ± 5%	250	50	500	4000	0.15	600	Orange
GTH2012P□-15NJ	15.0 ± 5%	250	50	500	3400	0.17	600	Yellow
GTH2012P□-18NJ	18.0 ± 5%	250	50	500	3300	0.20	600	Green
GTH2012P□-22NJ	22.0 ± 5%	250	55	500	2600	0.22	500	Blue
GTH2012P□-24NJ	24.0 ± 5%	250	50	500	2000	0.22	500	Gray
GTH2012P□-27NJ	27.0 ± 2%	250	55	500	2500	0.25	500	Violet
GTH2012P□-33NJ	33.0 ± 5%	250	60	500	2050	0.27	500	Gray
GTH2012P□-36NJ	36.0 ± 5%	250	55	500	1700	0.27	500	Orange
GTH2012P□-39NJ	39.0 ± 5%	250	60	500	2000	0.29	500	White
GTH2012P□-43NJ	43.0 ± 5%	200	60	500	1650	0.34	500	Yellow
GTH2012P□-47NJ	47.0 ± 5%	200	60	500	1650	0.31	500	Black
GTH2012P□-56NJ	56.0 ± 5%	200	60	500	1550	0.34	500	Brown
GTH2012P□-68NJ	68.0 ± 2%	200	60	500	1450	0.38	500	Red
GTH2012P□-75NJ	75.0 ± 5%	200	60	500	1400	0.40	400	Violet
GTH2012P□-82NJ	82.0 ± 2%	150	65	500	1300	0.42	400	Orange
GTH2012P□-91NJ	91.0 ± 5%	150	65	500	1200	0.48	400	Black

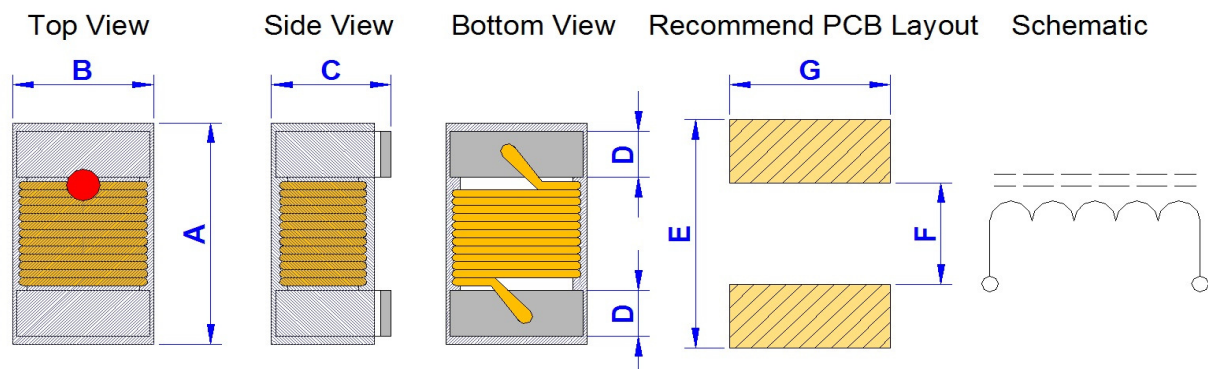
\* Inductance tolerance : G = ± 2% ; J = ± 5% ; K = ± 10%

\* IDC based on increasing product temperature : Current when temperature of the product reaches +40 deg.C .

Product Series : GTH	Brand : GOTREND
File Version : GTH-SERIES-V5R7	Editor : Qiuyi Wu
Established Date : 2009.07.30	Description : High Frequency Wound Inductor
Latest Edit Date : 2022.4.22	Product Type : <input checked="" type="checkbox"/> Standard <input type="checkbox"/> Customize

## GTH2012P-SERIES

Dimension [ mm ] :



Marking : The sense value represented by the color point please see the electrical specification.

Size	A [ Max. ]	B [ Max. ]	C [ Max. ]	D [ Ref. ]	E [ Ref. ]	F [ Ref. ]	G [ Ref. ]
2012P [ 0805 ]	2.29	1.73	1.52	0.51	2.68	0.64	1.55

Electrical Characteristics :

Part NO.	Inductance (nH)	L-Test Freq. (MHz)	Q Min.	Q-Test Freq. (MHz)	S.R.F (MHz) Min.	DCR (Ohm) Max.	IDC (mA) Max.	E TYPE COLOR COATING
GTH2012P□-R10J	100.0 ± 5%	150	65	500	1200	0.46	400	Yellow
GTH2012P□-R11J	110.0 ± 5%	150	50	250	1000	0.48	400	Brown
GTH2012P□-R12J	120.0 ± 2%	150	50	250	1100	0.51	400	Green
GTH2012P□-R15J	150.0 ± 5%	100	50	250	920	0.56	400	Blue
GTH2012P□-R16J	160.0 ± 5%	100	50	250	900	0.60	400	Gray
GTH2012P□-R18J	180.0 ± 5%	100	50	250	870	0.64	400	Violet
GTH2012P□-R20J	200.0 ± 5%	100	50	250	860	0.66	400	Red
GTH2012P□-R22J	220.0 ± 5%	100	50	250	850	0.78	400	Gray
GTH2012P□-R24J	240.0 ± 5%	100	44	250	690	1.00	350	Red
GTH2012P□-R25J	250.0 ± 5%	100	45	250	680	1.00	350	Yellow
GTH2012P□-R27J	270.0 ± 5%	100	48	250	650	1.00	350	White
GTH2012P□-R33J	330.0 ± 5%	100	48	250	600	1.40	310	Black
GTH2012P□-R39J	390.0 ± 5%	100	48	250	560	1.50	290	Brown
GTH2012P□-R47J	470.0 ± 5%	50	33	100	375	1.70	220	Violet
GTH2012P□-R56J	560.0 ± 5%	25	23	50	340	1.90	210	Orange
GTH2012P□-R62J	620.0 ± 5%	25	23	50	220	2.20	210	White
GTH2012P□-R68J	680.0 ± 5%	25	23	50	200	2.20	190	Green
GTH2012P□-R75J	750.0 ± 5%	25	23	50	200	2.30	180	Violet
GTH2012P□-R82J	820.0 ± 5%	25	23	50	200	2.35	180	Blue
GTH2012P□-1R0J	1000.0 ± 5%	25	20	50	100	2.50	170	Violet
GTH2012P□-1R2J	1200.0 ± 5%	7.9	18	25	100	2.50	170	None
GTH2012P□-1R5J	1500.0 ± 5%	7.9	16	25	100	2.50	170	Black
GTH2012P□-1R8J	1800.0 ± 5%	7.9	16	7.9	80	2.50	170	Brown
GTH2012P□-2R2J	2200.0 ± 5%	7.9	16	7.9	60	2.70	160	Red
GTH2012P□-2R7J	2700.0 ± 5%	7.9	16	7.9	50	2.95	150	Orange

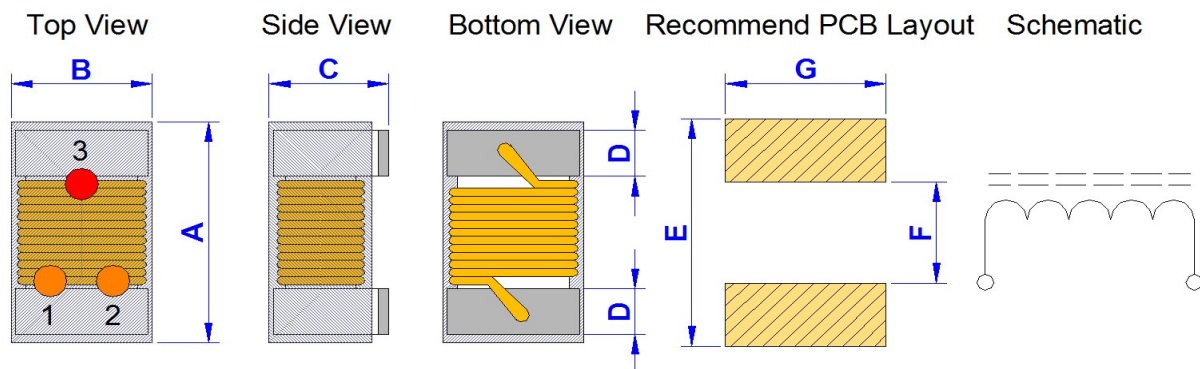
\* Inductance tolerance : G = ± 2% ; J = ± 5% ; K = ± 10%

\* IDC based on increasing product temperature : Current when temperature of the product reaches +40 deg.C .

Product Series : GTH	Brand : GOTREND
File Version : GTH-SERIES-V5R7	Editor : Qiuyi Wu
Established Date : 2009.07.30	Description : High Frequency Wound Inductor
Latest Edit Date : 2022.4.22	Product Type : <input checked="" type="checkbox"/> Standard <input type="checkbox"/> Customize

## GTH2520P-SERIES

Dimension [ mm ] :



Marking : 1. Color point code : 0 1 2 3 4 5 6 7 8 9  
 Black Brown Red Orange Yellow Green Blue Violet Gray White

2. Color point inductance conversion method:  $[(1\text{st. dot} \times 10) + 2\text{nd. dot}] \times 10^{3\text{rd. dot}} = \text{nH}$

Size	A [ Max. ]	B [ Max. ]	C [ Max. ]	D [ Ref. ]	E [ Ref. ]	F [ Ref. ]	G [ Ref. ]
2520P [ 1008 ]	2.92	2.80	2.23	0.51	3.31	1.27	2.54

Electrical Characteristics :

Part NO.	Inductance (nH)	L-Test Freq. (MHz)	Q Min.	Q-Test Freq. (MHz)	S.R.F (MHz) Min.	DCR (Ohm) Max.	IDC (mA) Max.	E TYPE COLOR COATING		
								1st.	2nd.	3rd.
GTH2520P□-10NK	10 ± 10%	50	50	500	4100	0.08	1000	Brown	Black	Black
GTH2520P□-12NK	12 ± 10%	50	50	500	3300	0.09	1000	Brown	Red	Black
GTH2520P□-15NK	15 ± 10%	50	45	500	2500	0.10	1000	Brown	Green	Black
GTH2520P□-18NK	18 ± 10%	50	50	350	2400	0.11	1000	Brown	Gray	Black
GTH2520P□-22NJ	22 ± 5%	50	55	350	2400	0.12	1000	Red	Red	Black
GTH2520P□-27NJ	27 ± 5%	50	55	350	1600	0.13	1000	Red	Violet	Black
GTH2520P□-33NJ	33 ± 5%	50	60	350	1600	0.14	1000	Orange	Orange	Black
GTH2520P□-39NJ	39 ± 5%	50	60	350	1500	0.15	1000	Orange	White	Black
GTH2520P□-47NJ	47 ± 5%	50	65	350	1500	0.16	1000	Yellow	Violet	Black
GTH2520P□-56NJ	56 ± 5%	50	65	350	1300	0.18	1000	Green	Blue	Black
GTH2520P□-68NJ	68 ± 5%	50	65	350	1300	0.20	1000	Blue	Gray	Black
GTH2520P□-82NJ	82 ± 5%	50	60	350	1000	0.22	1000	Gray	Red	Black
GTH2520P□-R10J	100 ± 5%	25	60	350	1000	0.56	650	Brown	Black	Brown
GTH2520P□-R12J	120 ± 5%	25	60	350	950	0.63	650	Brown	Red	Brown
GTH2520P□-R15J	150 ± 5%	25	45	100	850	0.70	580	Brown	Green	Brown
GTH2520P□-R18J	180 ± 5%	25	45	100	750	0.77	620	Brown	Gray	Brown
GTH2520P□-R22J	220 ± 5%	25	45	100	700	0.84	500	Red	Red	Brown
GTH2520P□-R27J	270 ± 5%	25	45	100	600	0.91	500	Red	Violet	Brown
GTH2520P□-R33J	330 ± 5%	25	45	100	570	1.05	450	Orange	Orange	Brown
GTH2520P□-R39J	390 ± 5%	25	45	100	500	1.12	470	Orange	White	Brown
GTH2520P□-R47J	470 ± 5%	25	45	100	450	1.19	470	Yellow	Violet	Brown
GTH2520P□-R56J	560 ± 5%	25	45	100	415	1.33	400	Green	Blue	Brown

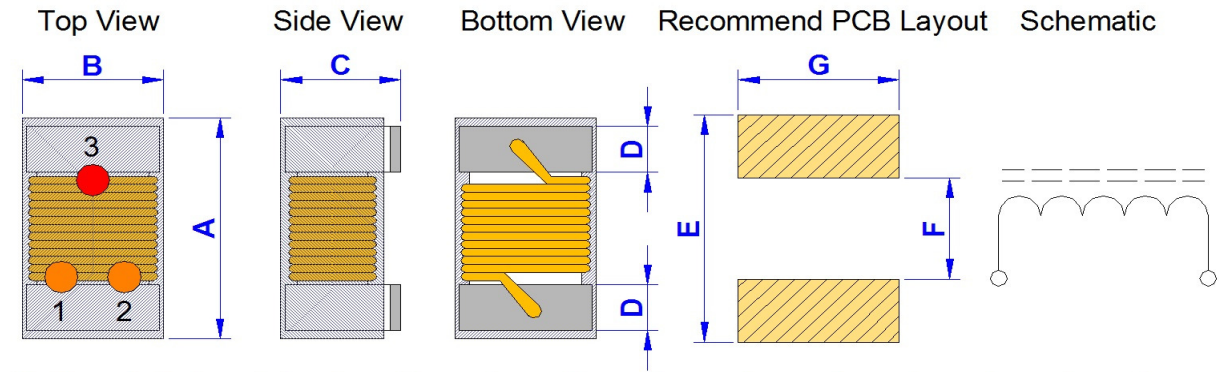
\* Inductance tolerance : G = ± 2% ; J = ± 5% ; K = ± 10%

\* IDC based on increasing product temperature : Current when temperature of the product reaches +40 deg.C .

Product Series : GTH	Brand : GOTREND
File Version : GTH-SERIES-V5R7	Editor : Qiuyi Wu
Established Date : 2009.07.30	Description : High Frequency Wound Inductor
Latest Edit Date : 2022.4.22	Product Type : <input checked="" type="checkbox"/> Standard <input type="checkbox"/> Customize

## GTH2520P-SERIES

Dimension [ mm ] :



Marking : 1. Color point code : 0 1 2 3 4 5 6 7 8 9  
 Black Brown Red Orange Yellow Green Blue Violet Gray White

2. Color point inductance conversion method: [ ( 1st. dot x 10 ) + 2nd. dot ] x 10<sup>3rd. dot</sup> = nH

Size	A [ Max. ]	B [ Max. ]	C [ Max. ]	D [ Ref. ]	E [ Ref. ]	F [ Ref. ]	G [ Ref. ]
2520P [ 1008 ]	2.92	2.80	2.23	0.51	3.31	1.27	2.54

Electrical Characteristics :

Part NO.	Inductance ( nH )	L-Test Freq. ( MHz )	Q Min.	Q-Test Freq. ( MHz )	S.R.F ( MHz ) Min.	DCR ( Ohm ) Max.	IDC ( mA ) Max.	E TYPE COLOR COATING		
								1st.	2nd.	3rd.
GTH2520P□-R62J	620 ± 5%	25	45	100	375	1.40	300	Blue	Red	Brown
GTH2520P□-R68J	680 ± 5%	25	45	100	375	1.47	400	Blue	Gray	Brown
GTH2520P□-R75J	750 ± 5%	25	45	100	360	1.54	360	Violet	Green	Brown
GTH2520P□-R82J	820 ± 5%	25	45	100	350	1.65	400	Gray	Red	Brown
GTH2520P□-R91J	910 ± 5%	25	35	50	320	1.68	380	White	Brown	Brown
GTH2520P□-1R0J	1000 ± 5%	25	35	50	290	1.75	370	Brown	Black	Red
GTH2520P□-1R2J	1200 ± 5%	7.9	35	50	250	2.00	310	Brown	Red	Red
GTH2520P□-1R5J	1500 ± 5%	7.9	28	50	200	2.30	330	Brown	Green	Red
GTH2520P□-1R8J	1800 ± 5%	7.9	28	50	160	2.60	300	Brown	Gray	Red
GTH2520P□-2R2J	2200 ± 5%	7.9	28	50	160	2.80	280	Red	Red	Red
GTH2520P□-2R7J	2700 ± 5%	7.9	22	25	135	3.20	290	Red	Violet	Red
GTH2520P□-3R3J	3300 ± 5%	7.9	22	25	110	3.40	290	Orange	Orange	Red
GTH2520P□-3R9J	3900 ± 5%	7.9	20	25	100	3.60	260	Orange	White	Red
GTH2520P□-4R7J	4700 ± 5%	7.9	20	25	90	4.00	260	Yellow	Violet	Red
GTH2520P□-5R6J	5600 ± 5%	7.9	18	7.9	40	4.20	240	Green	Blue	Red
GTH2520P□-6R8J	6800 ± 5%	7.9	18	7.9	40	4.90	200	Blue	Gray	Red
GTH2520P□-8R2J	8200 ± 5%	7.9	18	7.9	25	6.00	170	Gray	Red	Red
GTH2520P□-100J	10000 ± 5%	7.9	18	7.9	25	8.00	150	Brown	Black	Orange

\* Inductance tolerance : G = ± 2% ; J = ± 5% ; K = ± 10%

\* IDC based on increasing product temperature : Current when temperature of the product reaches +40 deg.C .

<b>Product Series :</b> GTH	<b>Brand :</b> GOTREND
<b>File Version :</b> GTH-SERIES-V5R7	<b>Editor :</b> Qiuyi Wu
<b>Established Date :</b> 2009.07.30	<b>Description :</b> High Frequency Wound Inductor
<b>Latest Edit Date :</b> 2022.4.22	<b>Product Type :</b> <input checked="" type="checkbox"/> Standard <input type="checkbox"/> Customize

#### Care note :

Care note for Use :

(1) Storage Condition :

Temperature 25 to 35 deg.C , Humidity 45 to 60% RH

(2) Use Temperature :

- a. Minimum Temperature : -40 deg.C Ambient temperature of this product.
- b. Maximum Temperature : +125 deg.C The value of temperature including ambient and temperature rise of this product.
- c. Reliability test temperature range from -40 ~ +125 deg.C
- d. However, this is not meant as temperature grade guarantee for UL.

(3) Model :

When this product was used in a similar or as new product to the original one, sometimes it might be unable to satisfy the specifications due to difference in condition of usage.

(4) Drop :

If this product suffered mechanical stress such as drop, characteristics may become poor ( due to damage on coil / bobbin / ferrite ... etc. )

Never use such stressed product.

Care note for Safety :

(1) Provision to Abnormal Condition :

This product itself does not have any protective function in abnormal condition such as overload, short-circuit and open-circuit conditions, etc.

Therefore, it shall be confirmed from the end product that there is no risk of smoking, fire, dielectric withstand voltage insulation resistance, etc. in abnormal conditions to provide protective devices and /or protection circuit in the end product.

(2) Temperature Rise :

Temperature rise on this product depends on the installation condition on end products.

It shall be confirmed on the actual end product that temperature rise of this product is within the specified temperature class limit.

(3) Dielectric Strength :

Dielectric withstanding test with higher voltage than specific value will damage insulating material and shorten its life.

(4) Water :

This product must not be used in wet condition resulted from water, coffee or any liquid contact because insulation strength becomes very low under such condition.

(5) Potting :

If this product is potted in some compound, coating material of magnet wire might be occasionally damaged. Please ask us if you intend to pot this product.

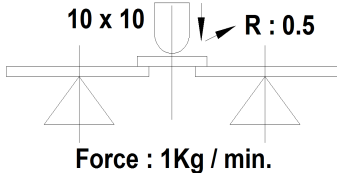
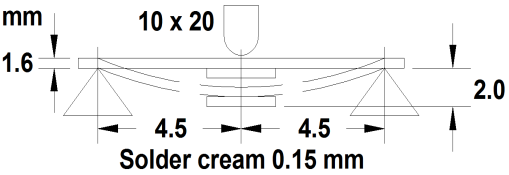
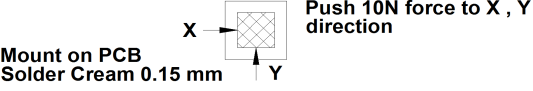
(6) Detergent :

Please consult our company immediately once under such circumstances because product reliability confirmation etc. is needed when this product come in contact with these chemicals.



<b>Product Series :</b> GTH	<b>Brand :</b> GOTREND
<b>File Version :</b> GTH-SERIES-V5R7	<b>Editor :</b> Qiuyi Wu
<b>Established Date :</b> 2009.07.30	<b>Description :</b> High Frequency Wound Inductor
<b>Latest Edit Date :</b> 2022.4.22	<b>Product Type :</b> <input checked="" type="checkbox"/> Standard <input type="checkbox"/> Customize

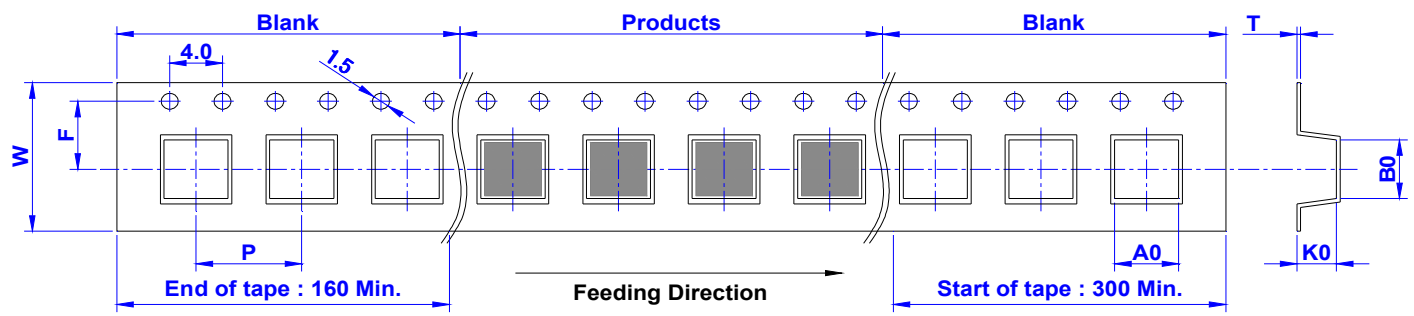
### Reliability :

SN	Test Item	Test Condition	Specification		
1	Dimension	Actual Size ...	Meet Spec		
2	Thermal Shock (Temperature Cycle)	Temperature : -40 ~ +125 deg.C kept stabilized for 30 min. each Cycle : 100 Cycles ( power off )	Elec. no variation Appearance no deformation		
3	Humidity Resistance	Humidity : 90% ~ 95% RH Temperature : 60 ± 2 deg.C, Test Time : 96 ± 2 Hours	Elec. no variation Appearance no deformation		
4	HighTemperature	Temperature : 125 ± 2 deg.C Testing Time : 96 ± 2 Hours	Elec. no variation Appearance no deformation		
5	Low Temperature	Temperature : -40 ± 2 deg.C Time : 96 ± 2 Hours	Elec. no variation Appearance no deformation		
6	Temperature and Humidity Cycle	Temperature	Humidity	Time	Elec. no variation Appearance no deformation
		25 deg.C	90% ~ 95% RH	3.0 Hr	
		55 deg.C	95% ~ 96% RH	5.0 Hr	
		25 deg.C	90% ~ 95% RH	3.0 Hr	
		Cycle : 20 Cycles			
7	Vibration	Frequency : 10Hz ~ 55Hz, Amplitude : 1.5 mm Direction : X, Y, Z, Time : 2 Hours each	Elec. no variation Appearance no deformation		
8	Solderability	Go through real SMT IR-Reflow .... The profile like our suggest profile. Preheat : 160 ± 10 deg.C ( 90 sec ) Peak : 245 ± 5 deg.C Peak Time : 50 Sec. / up 217 deg.C	Elec. no variation Appearance no deformation		
9	Soldering Heat Resistance	Preheat : 160 ± 10 deg.C ( 90 sec ) Solder : Sn / Ag / Cu ( Pb Free ) Solder Temp. : 260 ± 5 deg.C, Time : 3 ± 1 seconds	Elec. no variation Appearance no deformation		
10	Iron Solder Heat Resistance	Solder Temp. : 350 ± 5 deg.C Flux : Rosin, Time : 3 ± 1 seconds	Elec. no variation Appearance no deformation		
11	Bending Strength	Unit : mm  Force : 1Kg / min.	Elec. no variation Appearance no deformation		
12	Flexure Strength	Unit : mm  Solder cream 0.15 mm	Elec. no variation Appearance no deformation		
13	Terminal Strength	 Mount on PCB Solder Cream 0.15 mm Push 10N force to X, Y direction	Elec. no variation Appearance no deformation		
14	High-Voltage	100 V DC between core & winding	Elec. no variation Appearance no deformation		
15	Load life	Temperature : 25 ± 3 deg.C Load : Allowed DC Current, Test Time : 96 ± 2 Hours	Elec. no variation Appearance no deformation		

<b>Product Series :</b> GTH	<b>Brand :</b> GOTREND
<b>File Version :</b> GTH-SERIES-V5R7	<b>Editor :</b> Qiuyi Wu
<b>Established Date :</b> 2009.07.30	<b>Description :</b> High Frequency Wound Inductor
<b>Latest Edit Date :</b> 2022.4.22	<b>Product Type :</b> <input checked="" type="checkbox"/> Standard <input type="checkbox"/> Customize

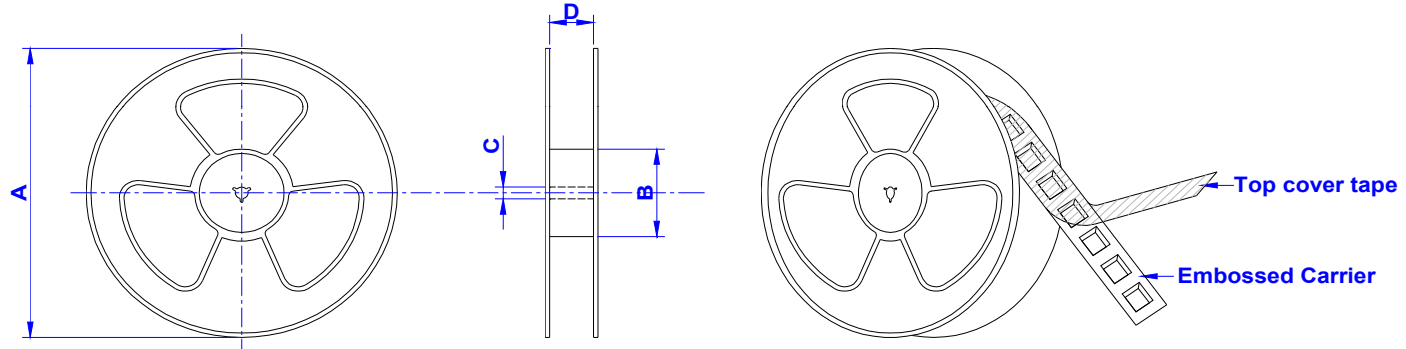
**Packaging Information :**

Tape Dimension ( mm ) :



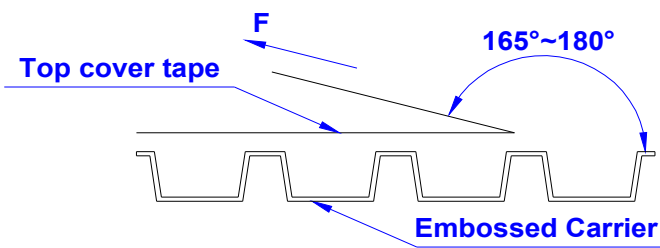
SIZE/mm	W	P	A0	B0	K0	T	F
1005	8.00	2.00	0.71	1.16	0.65	0.23	3.50
1608	8.00	4.00	1.20	1.85	1.00	0.23	3.50
2012	8.00	4.00	1.85	2.30	1.45	0.23	3.50
2520	8.00	4.00	2.50	2.80	2.00	0.23	3.50

Reel Dimension ( mm ) :



SIZE/mm	Reel Size	A	B	C	D	QTY / Reel
1005	7" x 8 mm	178	60	13	8.5	5000 PCS
1608	7" x 8 mm	178	60	13	8.5	4000 PCS
2012	7" x 8 mm	178	60	13	8.5	2000 PCS
2520	7" x 8 mm	178	60	13	8.5	2000 PCS

Tearing Off Force :



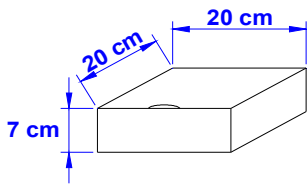
The force for tearing off cover tape is 10 to 130 grams in the arrow direction under the following conditions ( referenced ANSI / EIA - 481 - D - 2008 of 4.11stadnard ).

Room Temp. ( deg.C )	Room Humidity ( % )	Room Atm. ( hPa )	Tearing Speed ( mm / min )
5 ~ 35	45 ~ 85	860 ~ 1060	300

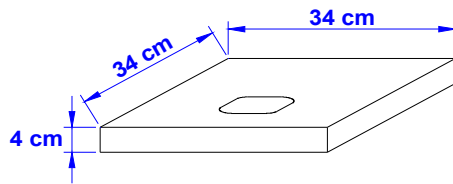
<b>Product Series :</b> GTH	<b>Brand :</b> GOTREND
<b>File Version :</b> GTH-SERIES-V5R7	<b>Editor :</b> Qiuyi Wu
<b>Established Date :</b> 2009.07.30	<b>Description :</b> High Frequency Wound Inductor
<b>Latest Edit Date :</b> 2022.4.22	<b>Product Type :</b> <input checked="" type="checkbox"/> Standard <input type="checkbox"/> Customize

**Packaging Information :**

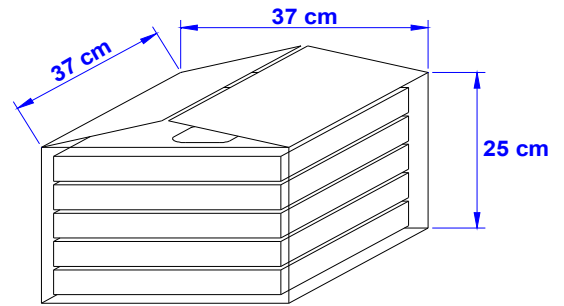
Box Package :



**7" Small Box**



**13" Small Box**



**Large Box**

SIZE/mm	Reels in Small Box	Small Box in Large Box
1005	5	8
1608	5	8
2012	5	8
2520	5	8